



Industrial Bar Code Printers

CL408e/CL412e Printer

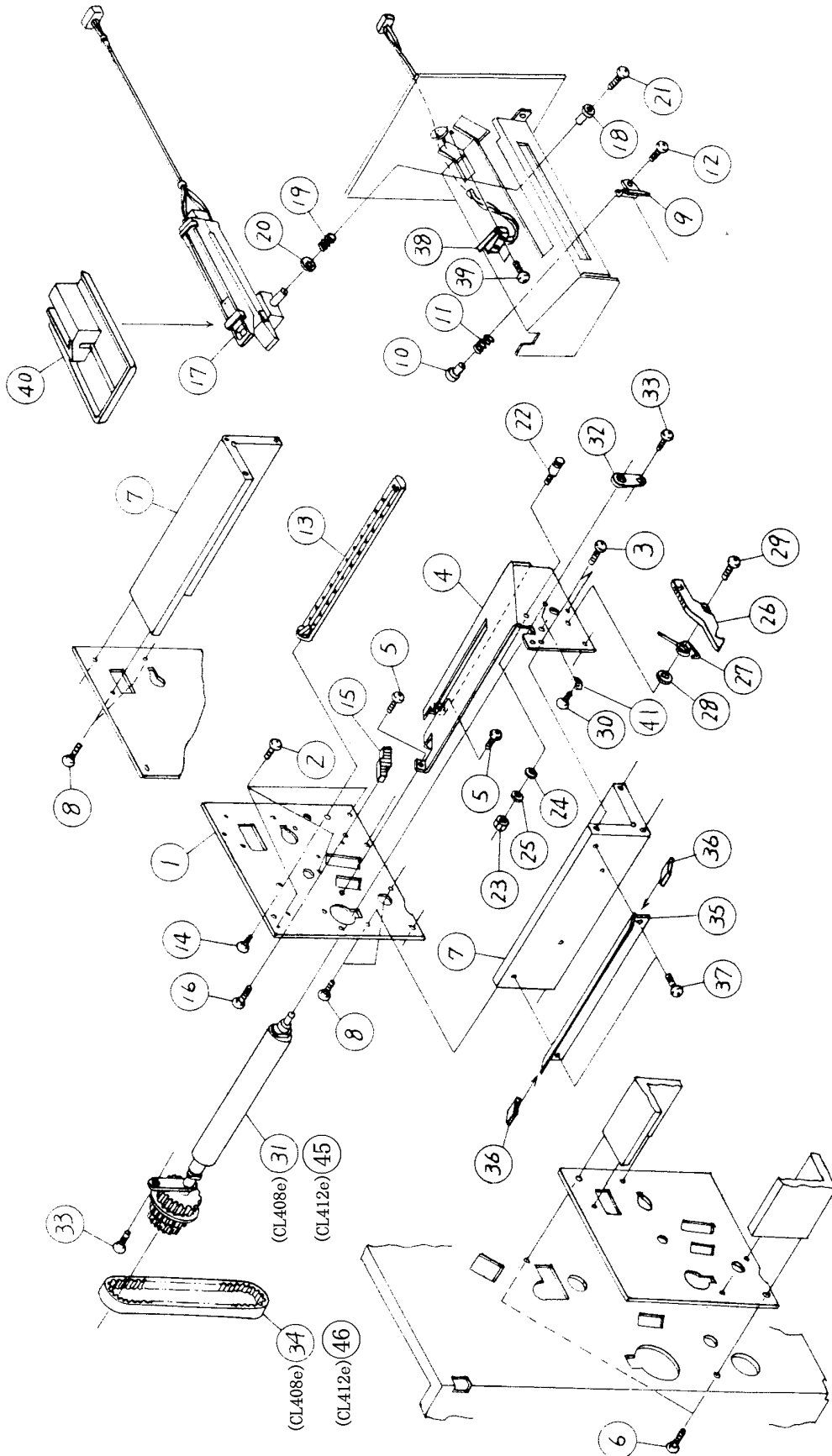


Spare Parts List

Table of Contents

CL408e/CL412e Spare Parts List	Page
<i>Frame Assembly</i>	3
<i>Print Head Assembly</i>	6
<i>Ribbon Assembly</i>	10
<i>Base Cover Assembly</i>	14
<i>Main PCB Assembly</i>	21
<i>Interface Options</i>	22
<i>PCMCIA Memory Option</i>	23
<i>Cutter Assembly Option</i>	24
<i>Dispenser Assembly Options</i>	26

Frame Assembly



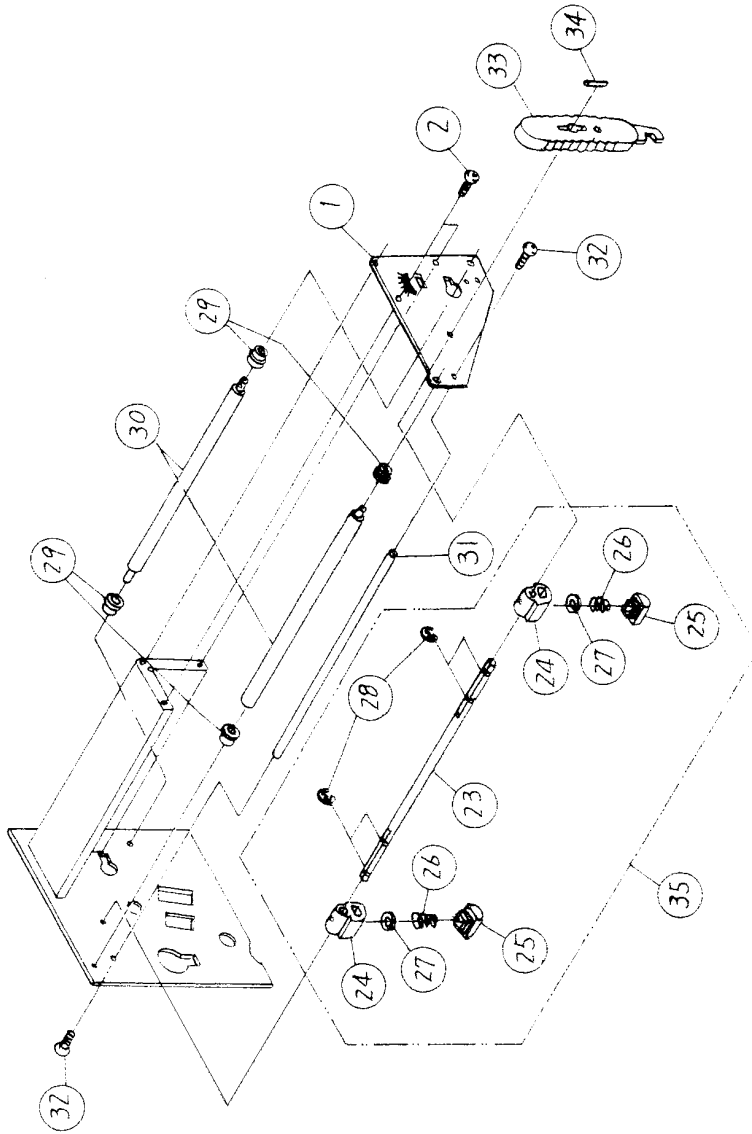
Frame Assembly

ITEM NO.	CODE	DESCRIPTION	QTY
1	PA1772700	ENGINE FRAME	1
2	MD4300621	PAN HEAD SCREW	3
3	MD3401021	PAN HEAD SCREW	2
4	PA1772800	SIDE FRAME	1
5	MD4300621	PAN HEAD SCREW	2
6	MD4401021	PAN HEAD SCREW	2
7	PD1770100	STAY	2
8	MD4401021	PAN HEAD SCREW	4
9	PA1773100	GUIDE PLATE	1
10	PB2770200	COLLAR	1
11	PC1770100	SPRING (GUIDE)	1
12	MD4301422	PAN HEAD SCREW	1
13	PE5680000	GUIDE SHAFT	1
14	MH0301221	P-TIGHT SCREW	1
15	PE1770300	GUIDE BLOCK	1
16	MH0300821	P-TIGHT SCREW	1
17	PR7770100	PITCH SENSOR SUB	1
18	PE2770500	COLLAR	1
19	PC1770100	SPRING (GUIDE)	1
20	PE2770400	COLLAR	1
21	MH0300821	P-TIGHT SCREW	1
22	PB0770500	POST	1
23	MT1400722	HEX NUT	1

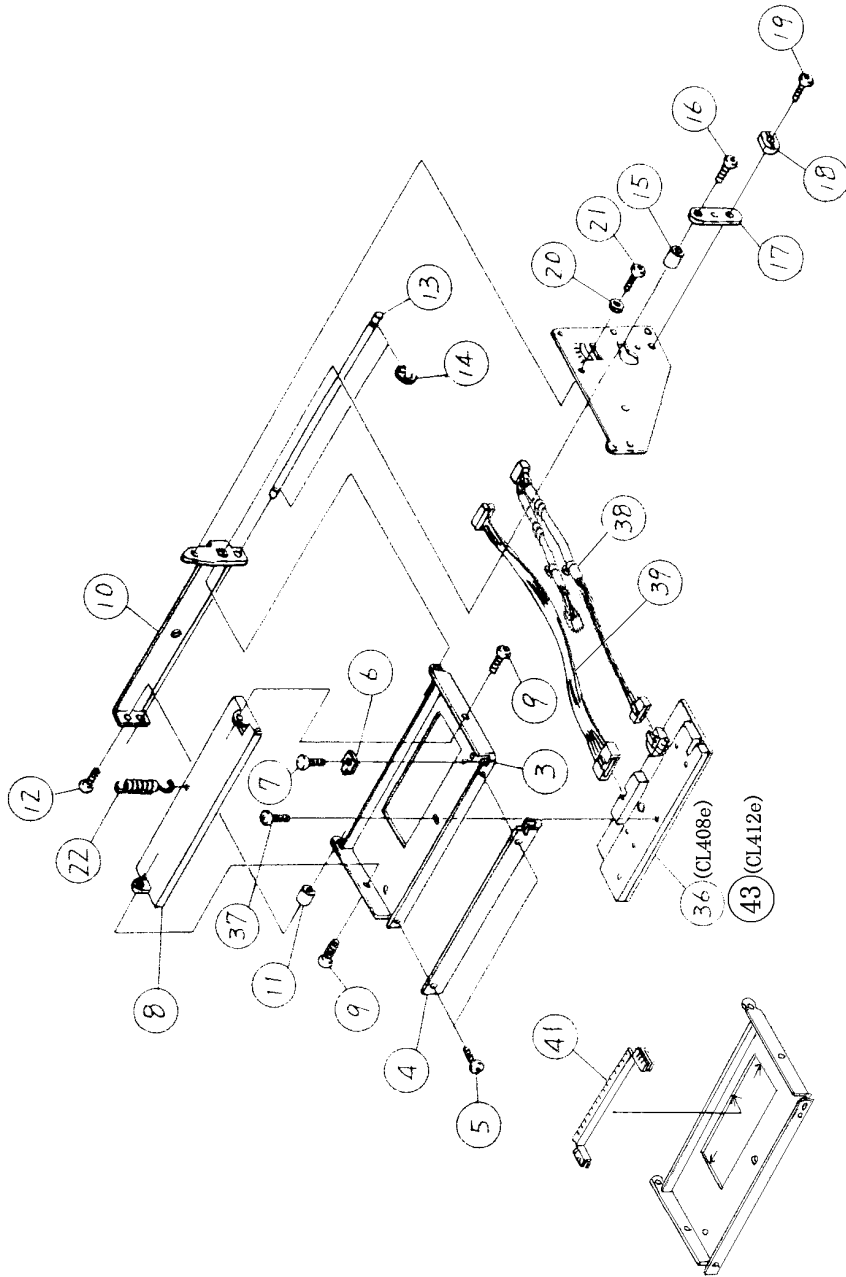
Frame Assembly

ITEM NO.	CODE	DESCRIPTION	QTY
24	NA1040022	PLAIN WASHER	1
25	NB0040022	SPRING WASHER	1
26	PE1770400	LATCH HANDLE	1
27	PC2770100	SPRING (LATCH HANDLE)	1
28	PB2770100	COLLAR	1
29	MD4401421	PAN HEAD SCREW	1
30	MD4300821	PAN HEAD SCREW	1
31	PR7770200	PLATEN (CL408E)	1
32	PA1770800	CLAMP (B)	1
33	MD4300621	PAN HEAD SCREW	2
34	PT8127064	TIMING BELT (CL408E)	1
35	PA1773200	TEAR-OFF CUTTER	1
36	PE1770800	CUTTER PROTECTOR	2
37	MD4300821	PAN HEAD SCREW	2
38	RH1770800	HEAD OPEN SW	1
39	MD3201221	PAN HEAD SCREW	2
40	PE6770900	PAPER GUIDE	1
41	NA1030022	PLAIN WASHER	1
45	PR7771000	PLATEN ROLLER SUB (CL412e)	1
46	PT8130064	TIMING BELT (CL412e)	1

Print Head Assembly



Print Head Assembly



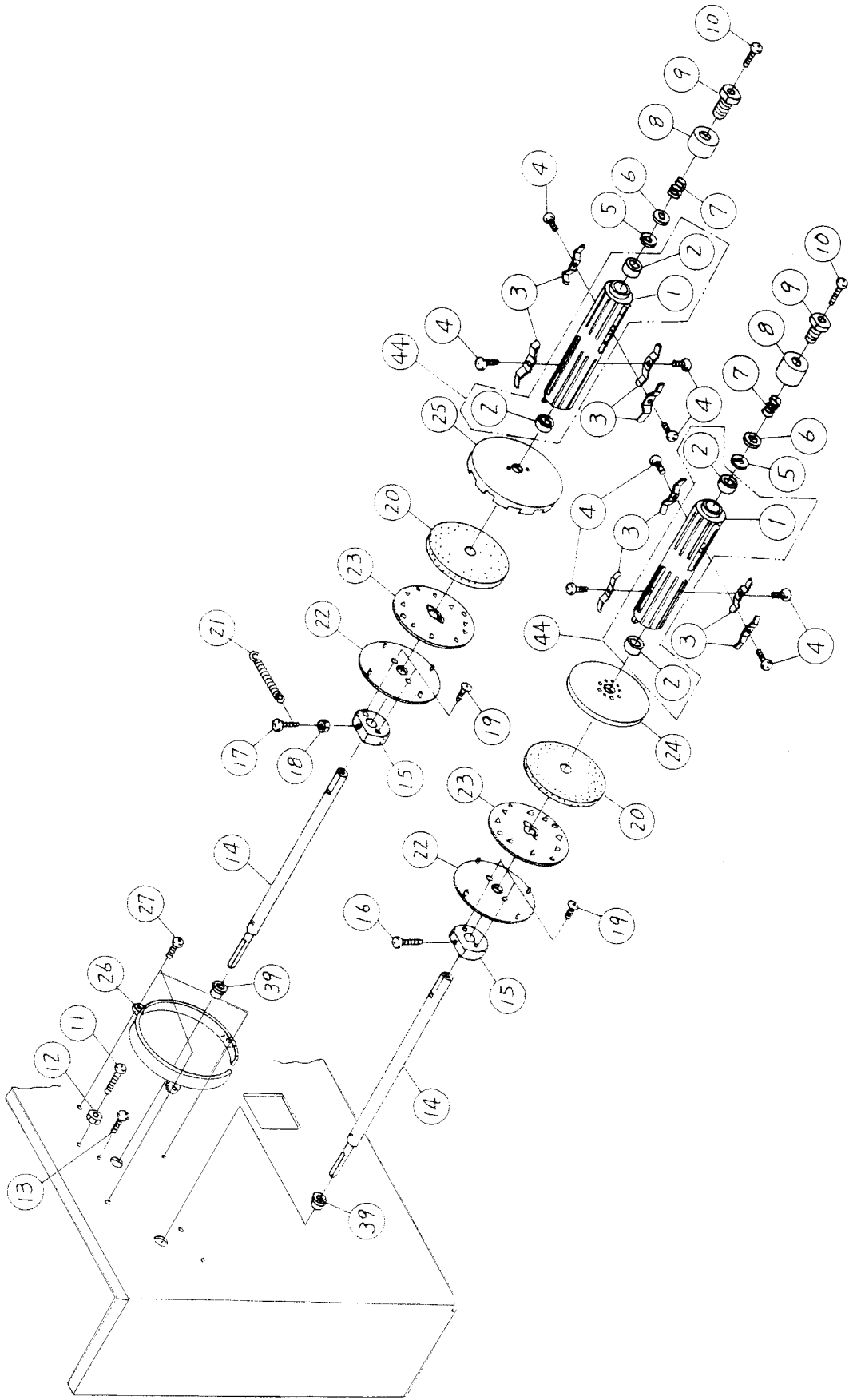
Print Head Assembly

ITEM NO.	CODE	DESCRIPTION	QTY
1	PA1772000	HEAD FRAME	1
2	MD4401021	PAN HEAD SCREW	2
3	PA1772500	HEAD BRACKET	1
4	PA1771900	PLATE (RIBBON ADJUST)	1
5	MD4300621	PAN HEAD SCREW	2
6	PA1772300	ADJUST PLATE (A)	1
7	MD4300621	PAN HEAD SCREW	1
8	PA1771800	HEAD SUB BRACKET	1
9	MD4300621	PAN HEAD SCREW	2
10	PA1770600	ADJUST PLATE (B)	1
11	PB2770300	COLLAR	1
12	MA0401021	PAN HEAD SCREW	1
13	PB0770700	SHAFT (HEAD ADJUST)	1
14	ND0020030	E-SNAP RING	2
15	PB2770100	COLLAR	1
16	MD4401421	PAN HEAD SCREW	1
17	PA1771500	ADJUST PLATE	1
18	PL2720100	ADJUST COLLAR	1
19	MD4300821	PAN HEAD SCREW	1
20	NA1040022	PLAIN WASHER	1
21	MD4300821	PAN HEAD SCREW	1
22	PC0770100	SPRING	1
23	PB0770600	SHAFT (HEAD PRESSURE)	1

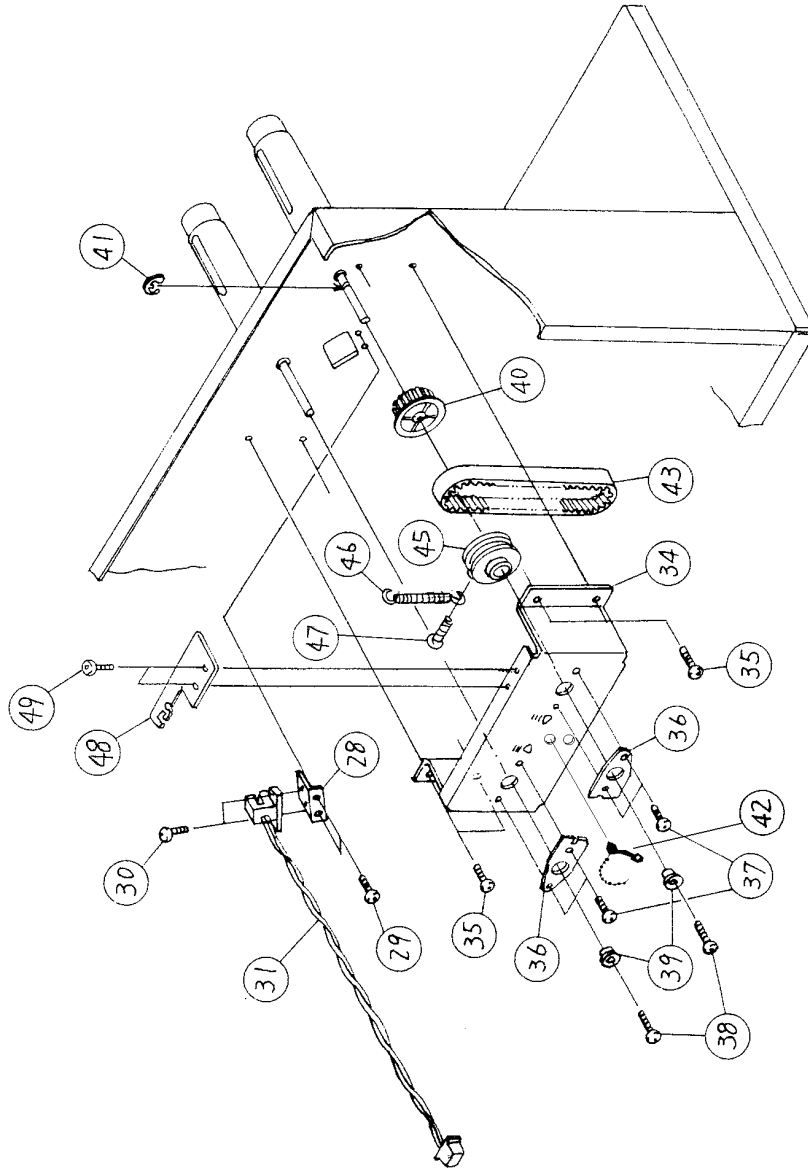
Print Head Assembly

ITEM NO.	CODE	DESCRIPTION	QTY
24	PE1740100	HEAD PRESSURE BRACKET	2
25	PE1740200	HEAD TENSION PIN	2
26	PC1770200	SPRING (HEAD)	2
27	PA0740100	PRESSURE PLATE	2
28	ND0060030	E-SNAP RING	4
29	PE2770300	COLLAR	4
30	PB3770100	ROLLER	4
31	PB0770300	SHAFT (SUPPORT)	1
32	MD4300621	PAN HEAD SCREW	2
33	PR7770600	LATCH HANDLE	1
34	NG2201230	PIN	1
35	PR7770700	HEAD PRESSURE SET	1
36	GH000531A	PRINT HEAD (CL408e)	1
37	MD4300621	PAN HEAD SCREW	1
38	RH1775100	CABLE ASSY, PRINTHEAD	1
39	RH1775201	CABLE ASSY, PRINTHEAD	1
41	PV9740300	BUSHING	1
43	GH000771A	PRINT HEAD (CL412e)	1

Ribbon Assembly



Ribbon Assembly



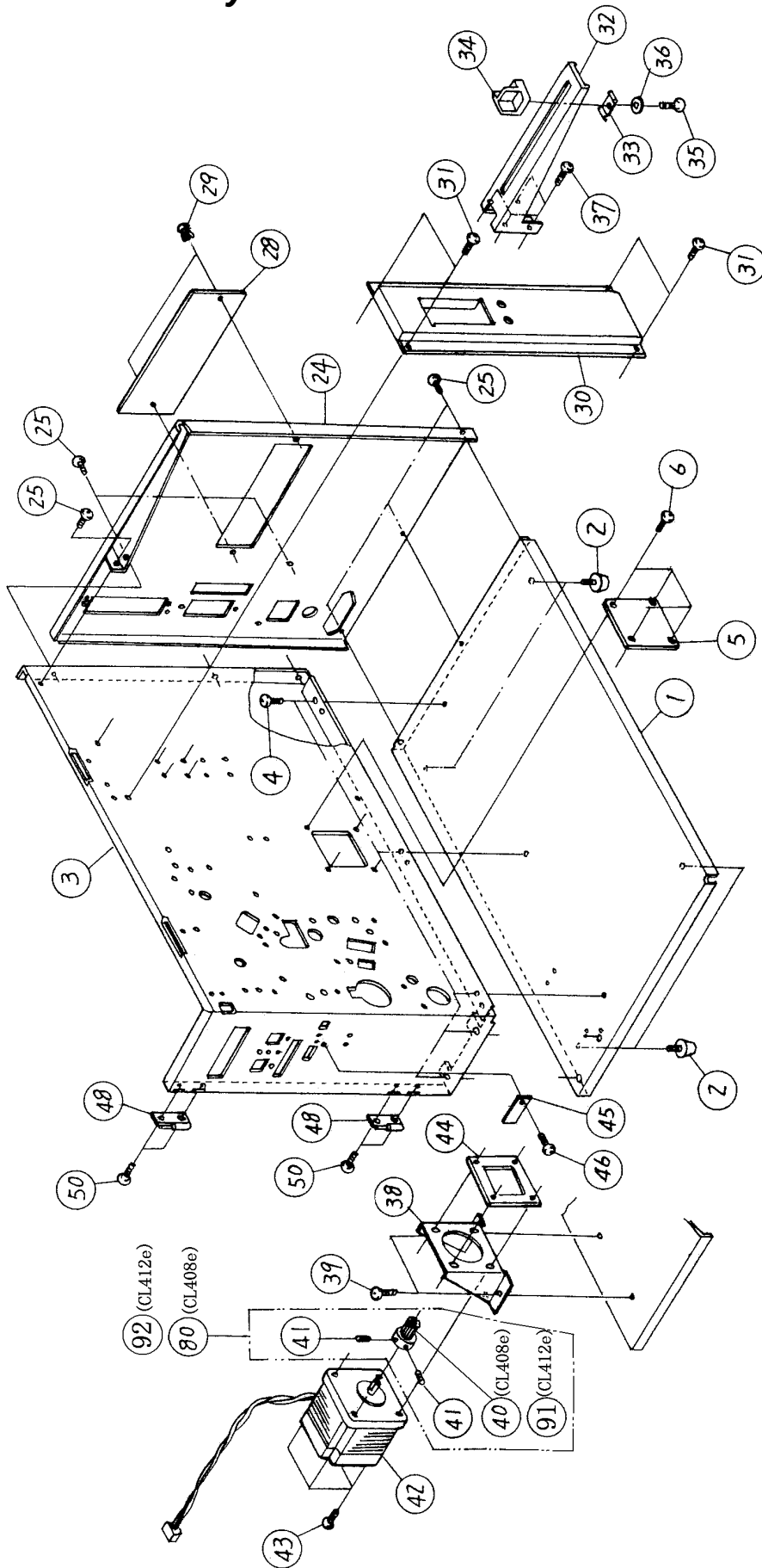
Ribbon Assembly

ITEM NO.	CODE	DESCRIPTION	QTY
1	PE4730100	RIBBON BOSS	2
2	PE2720100	COLLAR	4
3	PA4690900	SPRING	8
4	MH0300521	P-TIGHT SCREW	8
5	PT2301020	OILLESS DRY METAL	2
6	PA0680400	DISC	2
7	PC1730100	SPRING	2
8	PE2730100	STOPPER COLLAR	2
9	PB5730100	ADJUST SCREW	2
10	MA0303022	PAN HEAD SCREW	5
11	MA1300822	FLAT HEAD SCREW	1
12	MT1300522	HEX NUT	1
13	MD4300621	PAN HEAD SCREW	1
14	PB0771101	RIBBON (SHAFT)	2
15	PE4720200	PLATE HOLDER BOSS	2
16	MA0301821	PAN HEAD SCREW	1
17	MA0302522	PAN HEAD SCREW	1
18	MT1300522	HEX NUT	1
19	MH1250621	P-TIGHT SCREW	4
20	PA0680300	LINING	2
21	PC0740200	SPRING	1
22	PA0730100	GUIDE PLATE	2
23	PA0730200	HOLD PLATE	2

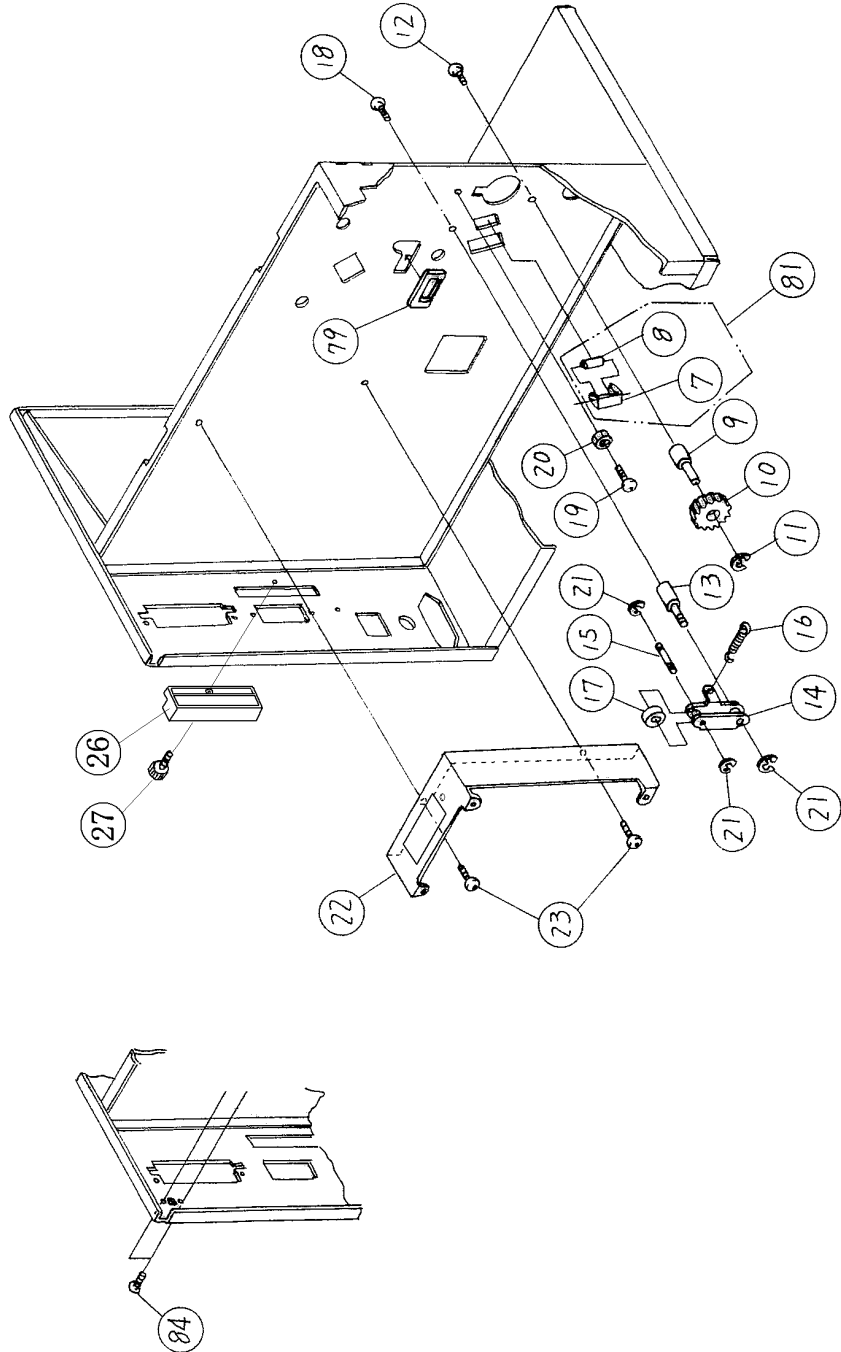
Ribbon Assembly

ITEM NO.	CODE	DESCRIPTION	QTY
24	PE1681100	GUIDE PLATE (B)	1
25	PE7720100	DISC PLATE (A)	1
26	PE6720100	DISC PLATE COVER	1
27	MD4300621	PAN HEAD SCREW	3
28	PA1770500	SENSOR BRACKET	1
29	MD4300621	PAN HEAD SCREW	1
30	MA0300621	PAN HEAD SCREW	2
31	RH1740400	RIBBON SENSOR (SEN4)	1
34	PA1772600	RIBBON FRAME	1
35	MD4300621	PAN HEAD SCREW	4
36	PA1771700	ADJUST PLATE	2
37	MD4300621	PAN HEAD SCREW	4
38	MD4401021	PAN HEAD SCREW	2
39	PT1112080	BALL SUPPORTER	4
40	PR1720400	PULLEY (50)	1
41	ND0060030	E-SNAP RING	1
42	JG100501A	PUSH BUTTON WIRE TIE	1
43	PT8170064	TIMING BELT	1
44	PR1730900	RIBBON BOSS	2
45	PR1770100	PULLEY	1
46	PC0740200	SPRING (BACK)	1
47	MH0300821	P-TIGHT SCREW	1
48	PA2771300	SPRING BRACKET	1
49	MD4300621	PAN HEAD SCREW	2

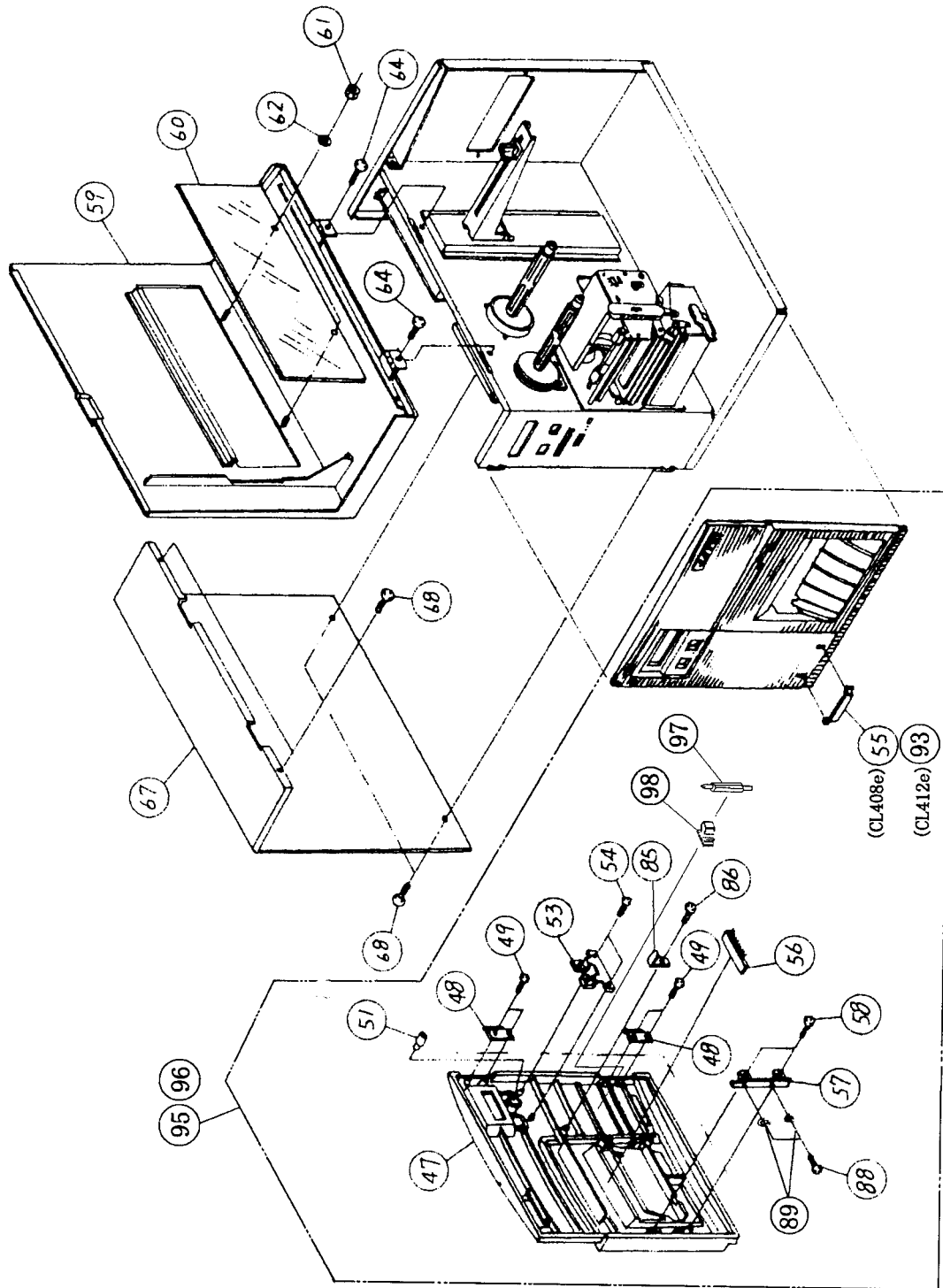
Base Cover Assembly



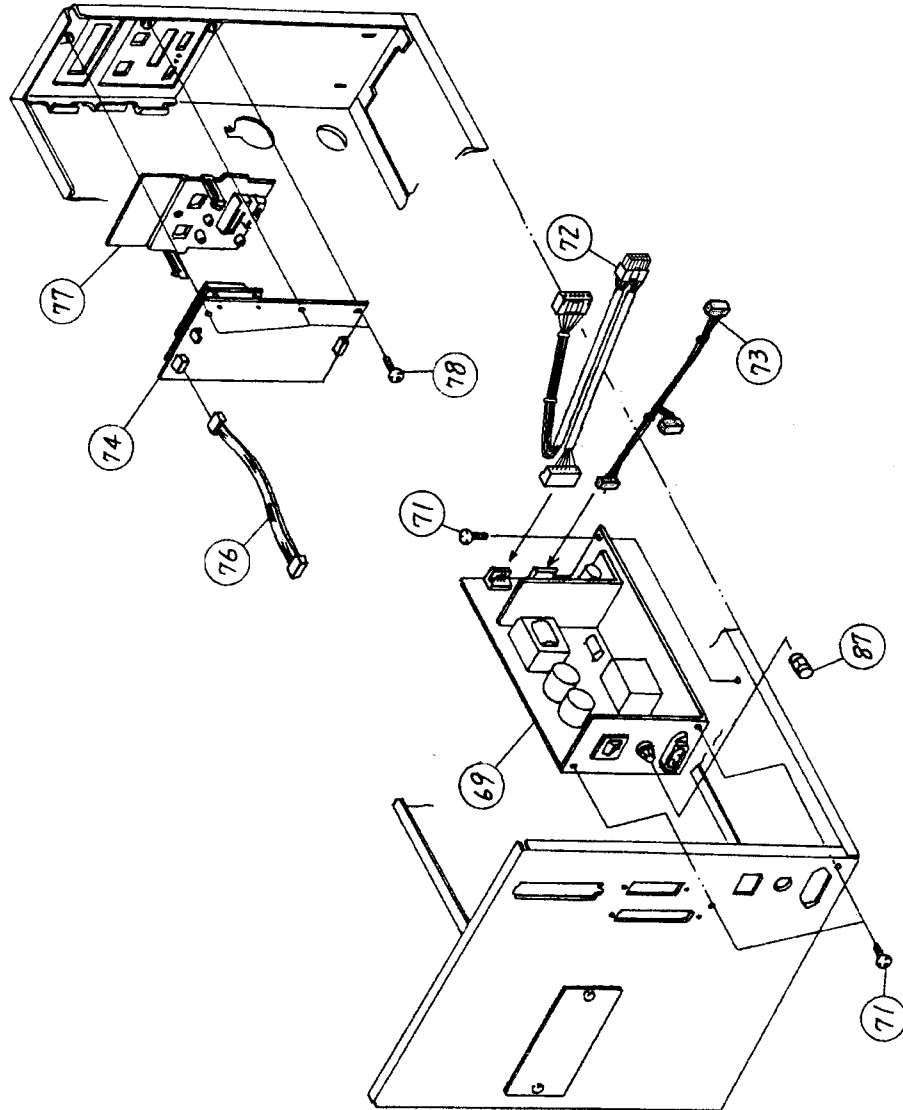
Base Cover Assembly



Base Cover Assembly



Base Cover Assembly



Base Cover Assembly

ITEM NO.	CODE	DESCRIPTION	QTY
1	PR3770500	BASE FRAME	1
2	PT6680100	RUBBER FOOT	4
3	PZ0771500	CENTER FRAME	1
4	MD4401021	PAN HEAD SCREW	5
5	PA1771000	LID	1
6	MD4300621	PAN HEAD SCREW	4
7	PE1770200	ROLLER BRACKET	1
8	PE3770100	ROLLER	1
9	PB0770100	POST	1
10	PE8770100	GEAR	1
11	ND0040030	E-SNAP RING	1
12	MD4401021	PAN HEAD SCREW	1
13	PB0770400	POST	1
14	PA3741800	TENSION BRACKET	1
15	PB0740900	SHAFT (TENSION ROLLER)	1
16	PC0740100	SPRING (TENSION)	1
17	PE3720100	TENSION ROLLER	1
18	MD4300621	PAN HEAD SCREW	1
19	MD4301422	PAN HEAD SCREW	1
20	MT1300522	HEX NUT	1
21	ND0040030	E-SNAP RING	3
22	PA1775400	PCB BRACKET	1
23	MD4300621	PAN HEAD SCREW	2
24	PZ0771000	REAR COVER	1
25	MD4300621	PAN HEAD SCREW	6
26	PE6771001	MEMORY CARD COVER	1
27	PB5A20001	PAN HEAD SCREW	2
28	PH3683802	LID	1
29	PT9520100	NYLON RIVET	2
30	PA1772100	GUIDE PLATE	1
31	MD4300621	PAN HEAD SCREW	4
32	PA1773500	UNWIND BRACKET	1
33	PA4520300	STOPPER SPRING	1
34	PE1720300	LABEL STOPPER	1
35	MH0300821	P-TIGHT SCREW	1
36	NA1030022	PLAIN WASHER	1

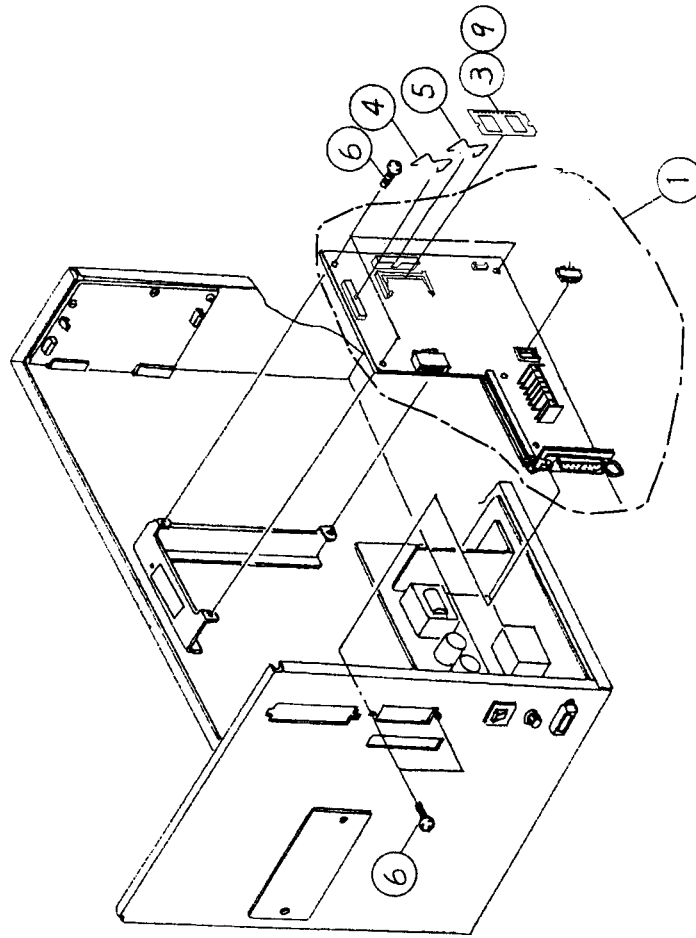
Base Cover Assembly

ITEM NO.	CODE	DESCRIPTION	QTY
37	MD4300621	PAN HEAD SCREW	4
38	PA2770200	MOTOR BRACKET	1
39	MD4401021	PAN HEAD SCREW	2
40	PL1770100	MOTOR PULLEY (CL408e)	1
41	MJ1400524	W-POINT SCREW	2
42	RH1770300	STEPPING MOTOR	1
43	MD3401221	PAN HEAD SCREW	4
44	PA1771400	PLATE NUT	1
45	PE6770200	CONNECTOR COVER	1
46	MD4300621	PAN HEAD SCREW	1
47	PZ0770400	FRONT COVER	1
48	PT3770100	HINGE	2
49	MH1300821	P-TIGHT SCREW	4
50	MA1300622	FLAT HEAD SCREW	4
51	PE6770400	LENS	1
53	PE6770300	SWITCH BUTTON	1
54	MH0300821	P-TIGHT SCREW	2
55	PZ0771300	LOGO PLATE (CL408e)	1
56	PR1340500	ANTI-STATIC BRUSH	1
57	PA1773000	LATCH BRACKET	1
58	MH0300821	P-TIGHT SCREW	2
59	PR3770100	COVER RH	1
60	PH2720100	WINDOW	1
61	MT1300522	HEX NUT	2
62	NA1030022	PLAIN WASHER	2
64	MD4300621	PAN HEAD SCREW	2
67	PH1770100	COVER LH	1
68	MD4300621	PAN HEAD SCREW	4
69	KA500631A	POWER SUPPLY UNIT (115V)	1
71	MD4300821	PAN HEAD SCREW	3
72	RH1771700	POW 1 CABLE	1
73	RH1770600	POW 2 CABLE	1
74	RJ1771501	DISPLAY PCB	1
76	RH1770500	KB CABLE SET	1
77	PE6770600	KB PROTECTOR	1

Base Cover Assembly

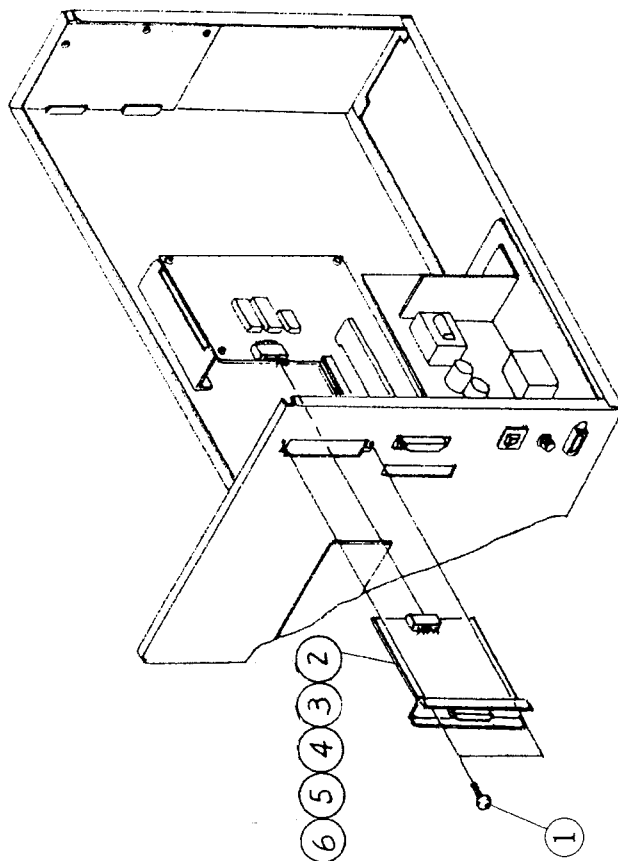
ITEM NO.	CODE	DESCRIPTION	QTY
78	MD4300621	PAN HEAD SCREW	3
79	PE6770700	CABLE PROTECTOR	1
80	PR7770300	MOTOR PULLEY SET (CL408e)	1
81	PR7770400	GUIDE ROLLER	1
84	MD3201221	PAN HEAD SCREW	2
85	PA1772900	SENSOR SLIT	1
86	MH0300821	P-TIGHT SCREW	1
87	HD100321A	FUSE (250V 3.15A)	1
88	MD4300621	PAN HEAD SCREW	2
89	NA1030022	PLAIN WASHER	2
91	PL1770200	MOTOR PULLEY (CL412e)	1
92	PR7771100	MOTOR PULLEY SET (CL412e)	1
93	PZ0771400	LOGO PLATE (CL412e)	1
95	PR7773500	COVER FRONT SUB (CL408e)	1
96	PR7773600	COVER FRONT SUB (CL412e)	1
97	PE6A21900	MICRO DRIVER	1
98	JG100551A	CK CLAMP	1

Main PCB Assembly



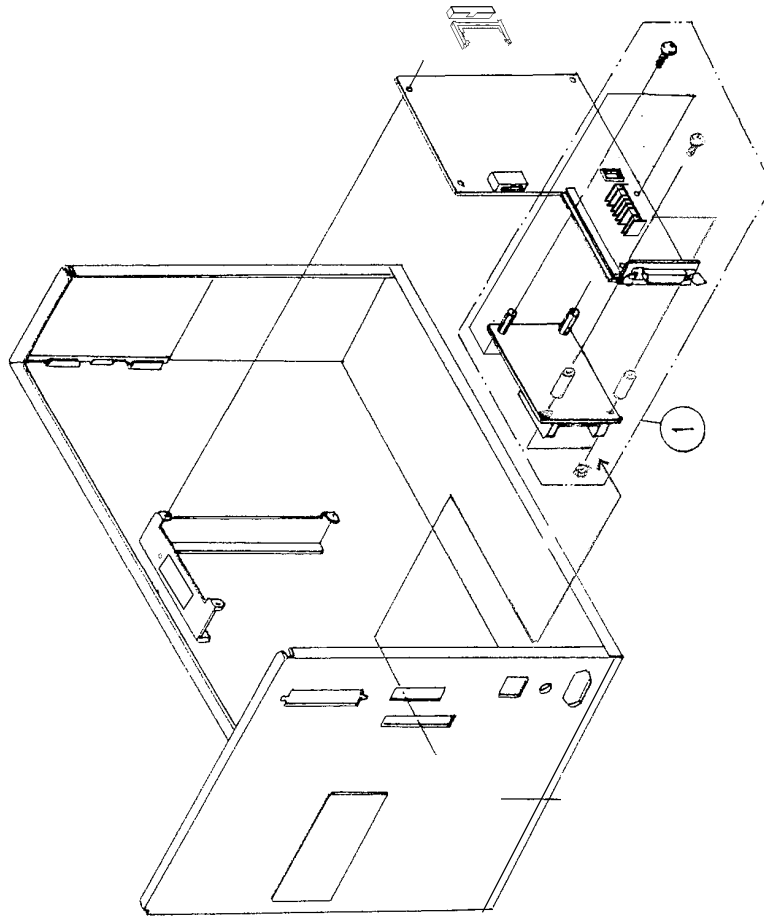
ITEM NO.	CODE	DESCRIPTION	QTY
1	RJ1771200	MAIN PCBA	1
3	RJ7770200	MEMORY PCB	1
4	PC9730100	SPRING	1
5	PC9680000	SPRING	1
6	MD4300621	PAN HEAD SCREW	5
9	RJ7770300	MEMORY PCB (4MB UPGRADE OPTION)	1

Interface Options



ITEM NO.	CODE	DESCRIPTION	QTY
1	MD3300622	SCREW	2
2	WCL404070	IEEE-1284 PARALLEL INTERFACE	1
3	WCL404051	SERIAL INTERFACE	1
4	WCL404060	USB INTERFACE	1
5	11S000158	ETHERNET INTERFACE	1
6	11S000136	CX/TX INTERFACE	1

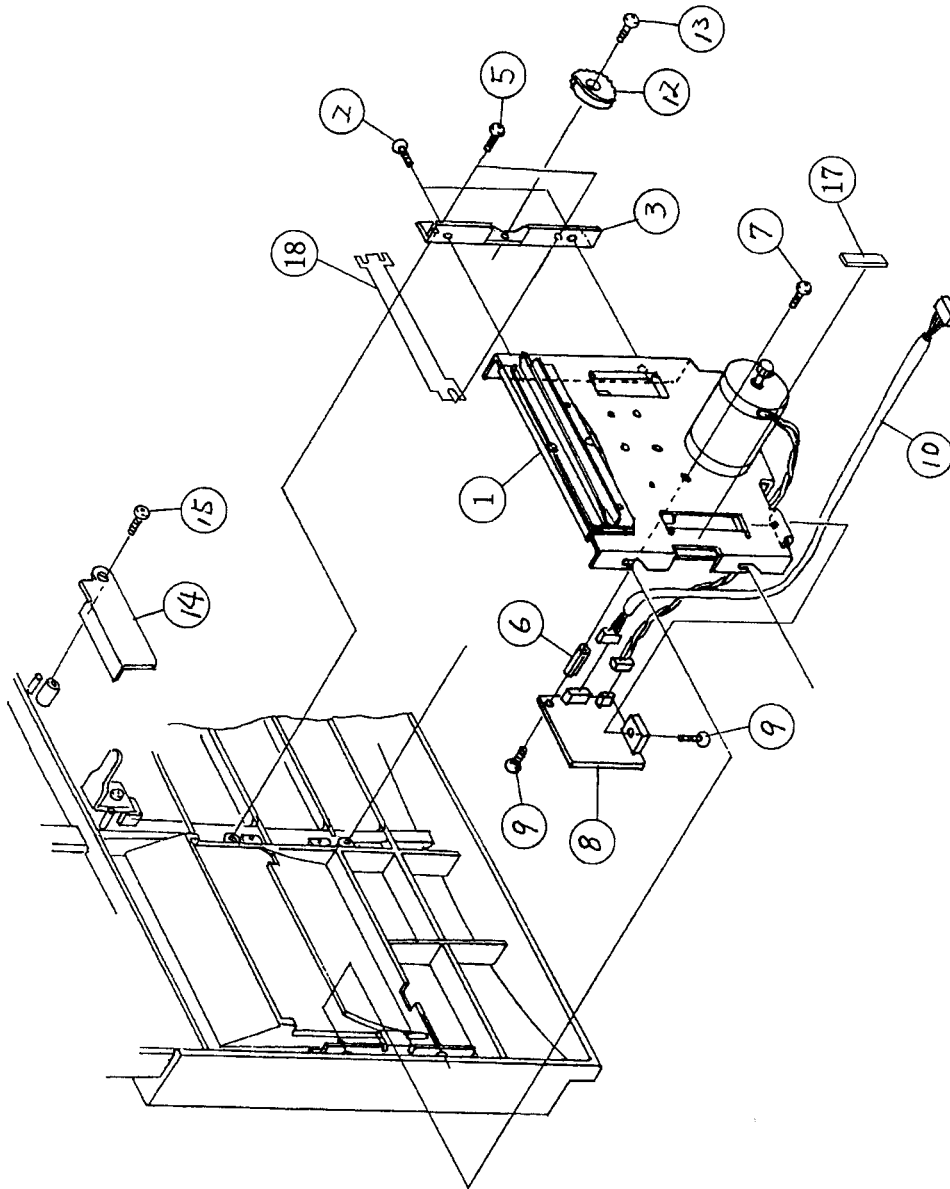
PCMCIA Memory Option



ITEM NO.	CODE	DESCRIPTION	QTY
1	RJ4770100	PCMCIA MEMORY OPTION	1

NOTE: PCMCIA Memory Card not included with the option.

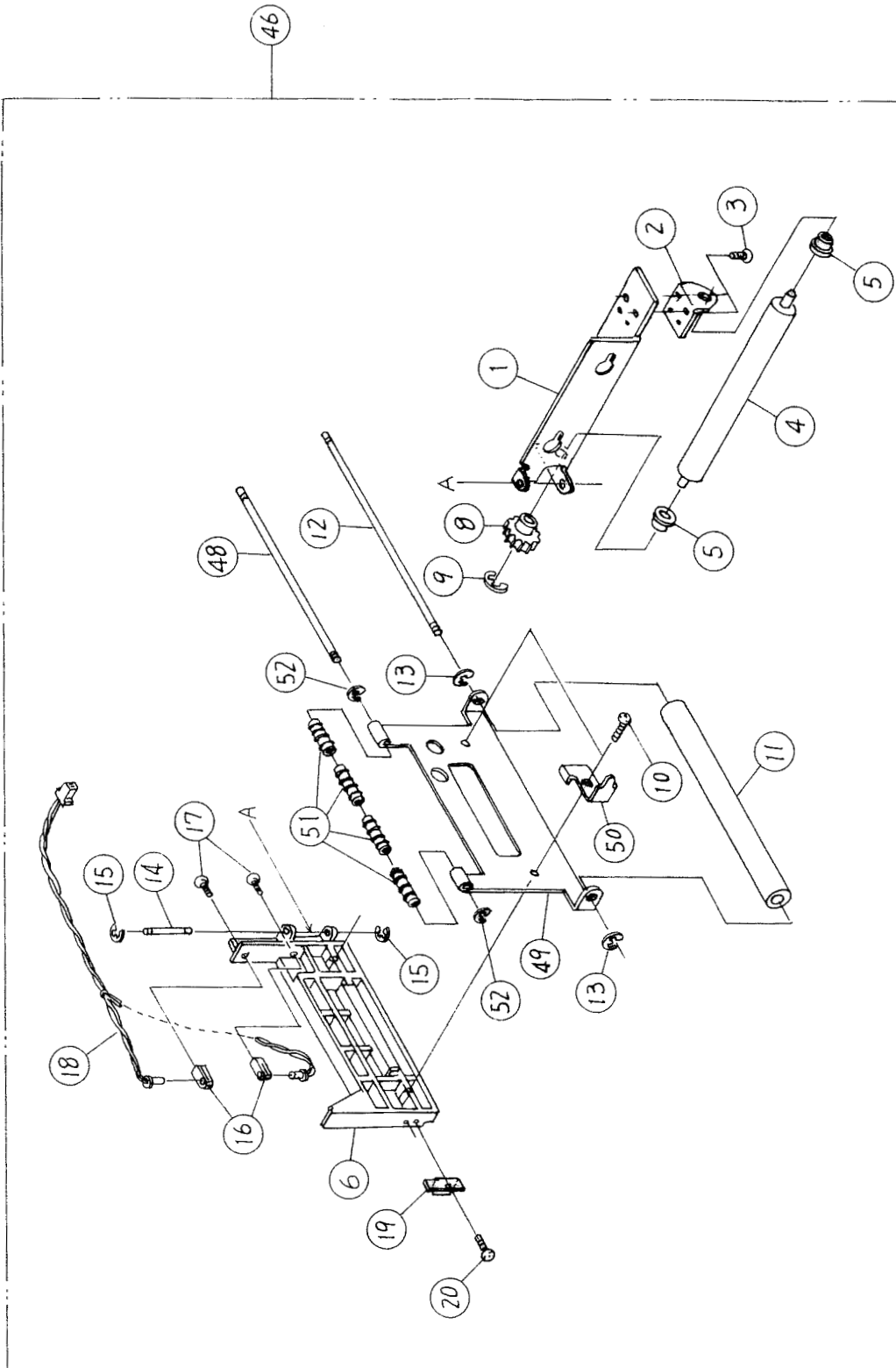
Cutter Assembly Option



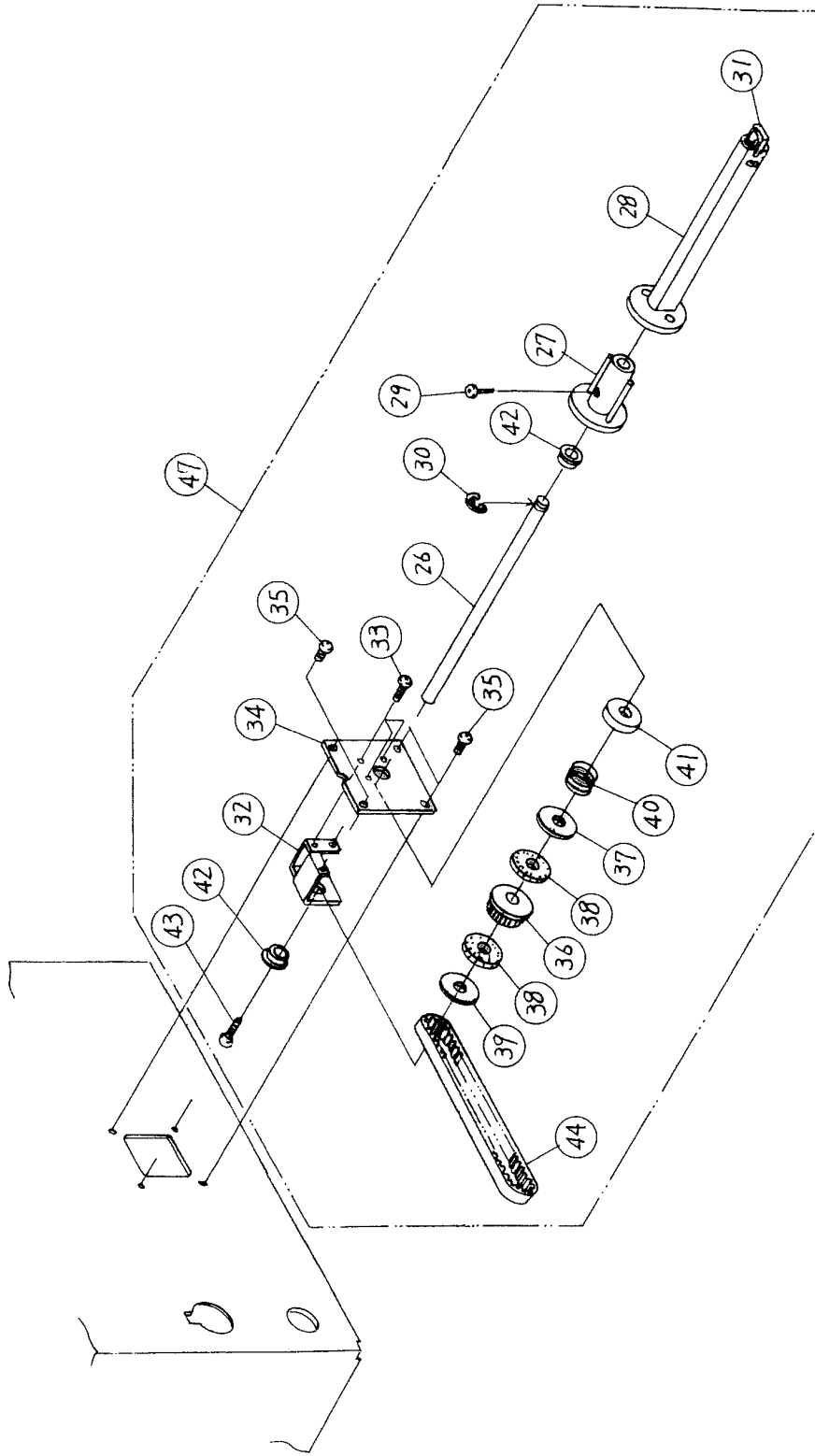
Cutter Assembly Option

ITEM NO.	CODE	DESCRIPTION	QTY
1	PR7772000	CUTTER SET	1
2	MD4300621	PAN HEAD SCREW	2
3	PA2770700	CUTTER BRACKET	1
5	MH0300821	P-TIGHT SCREW	2
6	PB0771000	POST	1
7	MD4300621	PAN HEAD SCREW	1
8	RJ1773600	CUTTER PCB SET	1
9	MD4300621	PAN HEAD SCREW	2
10	RH1772000	CUTTER CABLE	1
12	PE1771000	COLLAR	1
13	MD4300821	PAN HEAD SCREW	1
14	PA2770500	CABLE COVER	1
15	MH0300821	P-TIGHT SCREW	1
17	PV9770600	EMI GASKET	1
18	PG0770000	FG PLATE	1

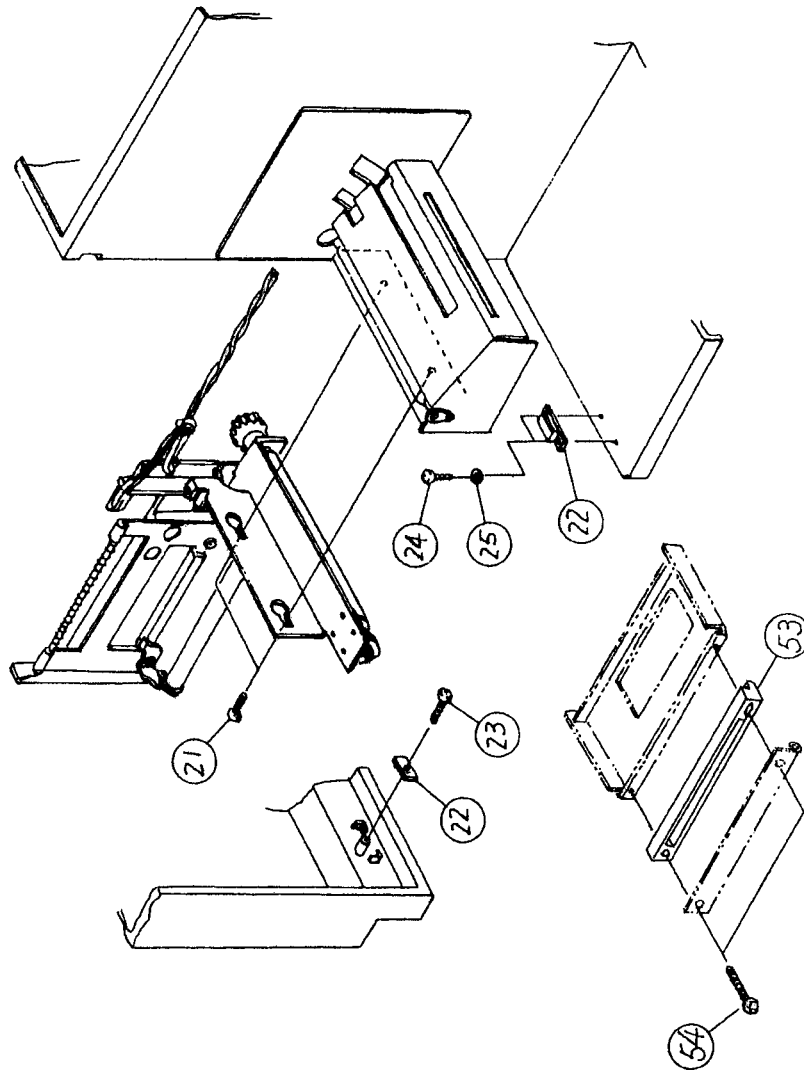
Dispenser Assembly Option



Dispenser Assembly Option



Dispenser Assembly Option



Dispenser Assembly Option

ITEM NO.	CODE	DESCRIPTION	QTY
1	PA1774100	DISPENSE FRAME	1
2	PA1770700	ROLLER BRACKET	1
3	MD4300621	PAN HEAD SCREW	2
4	PR0770100	DISPENSE ROLLER	1
5	PT1112060	BALL SUPPORTER	2
6	PE1770900	DISPENSE BRACKET	1
8	PR1770200	GEAR	1
9	ND0040030	E-SNAP RING	1
10	MH0300821	P-TIGHT SCREW	2
11	PR1520200	PRESSURE ROLLER	1
12	PB0770200	SHAFT (PRESSURE)	1
13	ND0040030	E-SNAP RING	2
14	PB0770900	SHAFT (DISPENSE)	1
15	ND0020030	E-SNAP RING	2
16	PE1570300	DISPENSE SENSOR BRACKET	2
17	MH0250821	P-TIGHT SCREW	2
18	RH1772100	DISPENSE CABLE	1
19	PA1774200	LATCH BRACKET	1
20	MH0300821	P-TIGHT SCREW	1
21	MD4300821	PAN HEAD SCREW	2
22	PT9689000	MAGNET	1
23	MH1300621	P-TIGHT SCREW	1
24	MH4300821	S-TIGHT SCREW	2
25	NA1003022	PLAIN WASHER	2
26	PB0770800	SHAFT (REWIND)	1
27	PE4770100	REWIND CORE	1
28	PE4770200	REWIND BOSS	1
29	MD4301221	PAN HEAD SCREW	1
30	ND0060030	E-SNAP RING	1
31	PE1520700	HANDLE	1
32	PA1774000	REWIND FRAME	1
33	MD4300621	PAN HEAD SCREW	3
34	PA1773900	REWIND PLATE	1
35	MD4300621	PAN HEAD SCREW	4
36	PE8770400	PULLEY	1

Dispenser Assembly Option

ITEM NO.	CODE	DESCRIPTION	QTY
37	PA0770100	FLANGE	1
38	PJ4770100	FACING	2
39	PE7770100	FLANGE	1
40	PC1770400	SPRING (REWIND)	1
41	PE2770800	COLLAR (SPRING)	1
42	PT1112080	BALL SUPPORTER	2
43	MD4401021	PAN HEAD SCREW	1
44	PT8155064	TIMING BELT	1
46	PR7773100	DISPENSE SUB UNIT	1
47	PR7773000	REWIND SUB UNIT	1
48	PB0771200	SHAFT (DISPENSER)	1
49	PA1774700	DISPENSE PLATE	1
50	PA2770100	STOPPER BRACKET	1
51	PE3520600	DISPENSE ROLLER	4
52	ND0020030	E-SNAP RING	2
53	PE1771100	SPACER (RIBBON ADJUST)	2
54	MA0301821	PAN HEAD SCREW	2